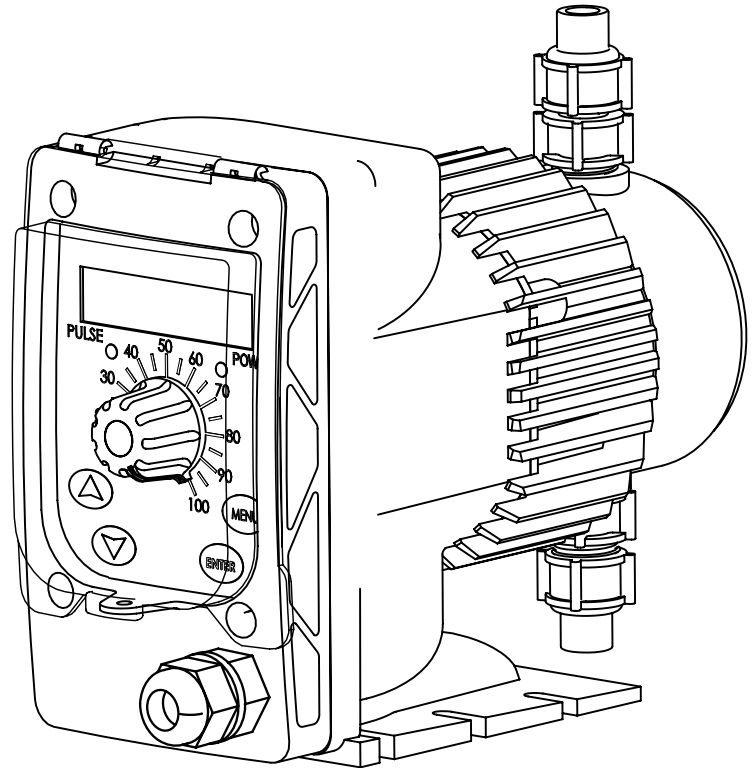


Series R

MicroTron Relay Output
Chemical Metering Pump

***Pump and
Controller
Together In
One Unit***



Key Features

- Microprocessor Controlled
- Control Relay Output
- NEMA 4X Style Enclosure
- Splash Cover over Controls
- Guided Double Ball Checks
- LED Indicating Lights
- LCD Backlit Display
- Widest Turn Down Capability
- Thermal Overload Protection
- Priming Valve Standard

Application

MicroTron Series R pumps combine chemical metering and a control relay output function in one simple unit. The Model R pump controller combination provides the lowest cost package system for a wide variety of water treatment applications.

Model R pumps may be ordered in the following configurations:

- **Conductivity Control**
- **Conductivity Control with Feed Timer**
- **Conductivity Control with Biocide Timer**
- **Dual Pulse Timers**
- **Dual 28-day Biocide Timers**
- **Dual Sequential Percent Timers**
- **pH Control**
- **ORP Control**

Build a Model

Model R _____ - _____

Build your model number by selecting one code from each step. Example: RD30X1-PVC1

STEP 1 RELAY CONTROL FUNCTION

- B Dual Biocide Timer
- C Conductivity Feed and Bleed
- D Conductivity Bleed with Selectable Feed Timer
- E Conductivity Bleed with Biocide Timer
- G Dual Percent Timer
- W Dual Water Meter Pulse Timer
- P pH Control with Alarm Relay
- O ORP Control with Alarm Relay

STEP 2 OUTPUT

- 30 30 GPD at 110 PSI
- 15 15 GPD at 150 PSI
- 17 17 GPD at 250 PSI

STEP 3 STOP FUNCTION

- X Standard
- D Auto Stop Input with 8' Cord
- E Flow Switch Assembly with 8' Cord
- G Flow Switch Only with 8' Cord

STEP 4 VOLTAGE

- 1 (Standard) 110 Volt USA Plug
- 2 220 Volt
- 3 220 Volt Specified Plug

STEP 5 HEAD MATERIAL

- P Polypropelene (Standard)
- K Kynar
- V PVC

STEP 6 SEAT MATERIAL

- V Viton (Standard)
- F Teflon
- H Hypalon

STEP 7 CHECK BALL

- C Ceramic (Standard)
- S Stainless

STEP 8 CONNECTIONS

- 1 3/8" Tubing Standard - 110 psi
- 2 1/4" Tubing Standard - 250 psi
- 3 3/8" Tubing - 250 PSI
- P 1/4" MNPT Connections
- V 3/8" Vinyl Suction Tubing

For other options, see Price List or consult factory.

Specifications

Electrical

- **Input:** 120 VAC or 250 VAC @ 50/60 Hz
- **Output:** Relay rated to 5 amp

Operational

- **Display:** 16 character LCD backlit
- **Stroke length:** Manual adjustment
- **Speed frequency:** 1 to 7500 strokes/hour
- **Conductivity scale:** 0-6,000 μ S
- **pH scale:** 2-12 pH units
- **ORP scale:** 0 to 1000 mV

Optional Timers

- **Pulse:** 0-10 min, 0-59 sec w/accumulator
- **Limit:** 0-90 minutes
- **Post Bleed:** 0-99%w/limit (RD only)
- **Percent:** 0-99% of 10-30 minutes
- **Biocide:** 28 Day

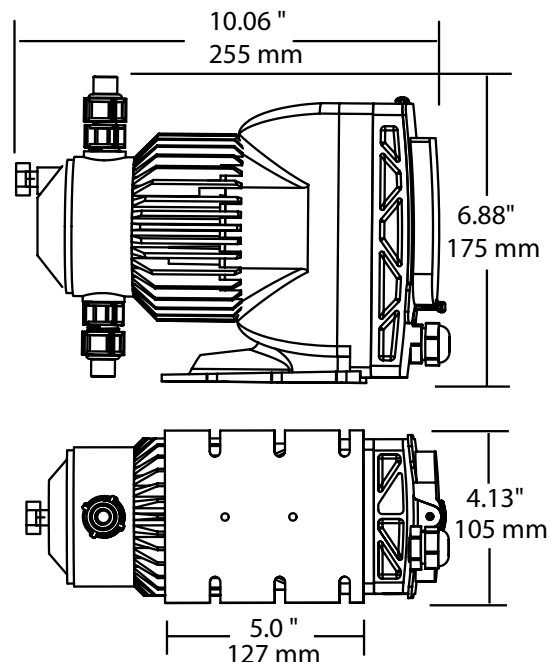
Enclosure

Heavy duty NEMA 4X type high impact thermoplastic with clear lexan cover.

Environment

- Ambient temperature: 32° to 140°F
- Relative humidity: 0 to 100%

Shipping Weight: Approximately 10 lbs.



Get the Advantage



4700 Harold Abitz Dr
Muskogee, OK 74403
800-743-7431 phone
888-686-6212 fax
www.advantagecontrols.com