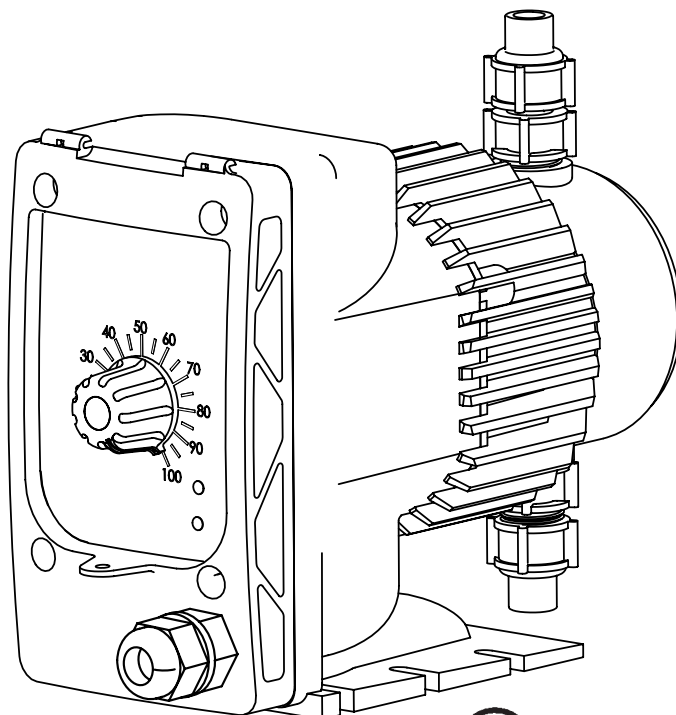


MicroTron

Series C

Chemical Metering Pump

Manual Stroke Adjustment



Key Features

- Single Output Adjustment
- NEMA 4X Style Enclosure
- Guided Double Ball Checks
- Circuit Protection
- Thermal Overload Protection
- Priming Valve Standard
- Microprocessor Fixed Speed
- 2 Year Warranty

Application

MicroTron Series C metering pumps provide reliable, economical chemical addition for a wide variety of applications.

Metering accuracy is achieved with microprocessor controlled preset speed and double ball guided checks. A rugged thermoplastic NEMA 4X housing allows for outdoor installations.

The Series C pumps are available in outputs up to 30 GPD and 250 PSIG. The manual stroke length adjustment provides a simple turn down on all models.

Build a Model

Model C _ _ _ _ - _ _ _ _

Build your model number by selecting one code from each step. Example: C105X1-PVC1

STEP 1 OUTPUT

105	5 GPD / 0.80 LPH	at	110 PSI
110	10 GPD / 1.60 LPH	at	110 PSI
115	15 GPD / 2.37 LPH	at	110 PSI
120	20 GPD / 3.15 LPH	at	110 PSI
130	30 GPD / 4.70 LPH	at	110 PSI
202	2 GPD / 0.31 LPH	at	250 PSI
205	5 GPD / 0.80 LPH	at	250 PSI
210	10 GPD / 1.60 LPH	at	250 PSI
215	15 GPD / 2.40 LPH	at	250 PSI
217	17 GPD / 2.60 LPH	at	250 PSI

STEP 2 CONTROL OPTIONS

X	Standard
E	External Pace
F	Hall Effects Meter Input

STEP 3 VOLTAGE

1	(Standard) 110 Volt USA Plug
2	220 Volt
3	220 Volt Specified Plug

STEP 4 HEAD MATERIAL

P	Polypropelene (Standard)
K	Kynar
V	PVC

STEP 5 SEAT MATERIAL

V	Viton (Standard)
F	Teflon
H	Hypalon

STEP 6 CHECK BALL

C	Ceramic (Standard)
S	Stainless

STEP 7 CONNECTIONS

1	3/8" Tubing Standard - 110 psi
2	1/4" Tubing Standard - 250 psi
3	3/8" Tubing - 250 PSI
P	1/4" MNPT Connections
V	3/8" Vinyl Suction Tubing

For other options, see Price List or consult factory.

Specifications

Electrical

- Input - 120 VAC or 250 VAC @ 50/60 Hz

Operation

- Stroke length adjustment - 10-100%
- Stroke speed frequency - Preset

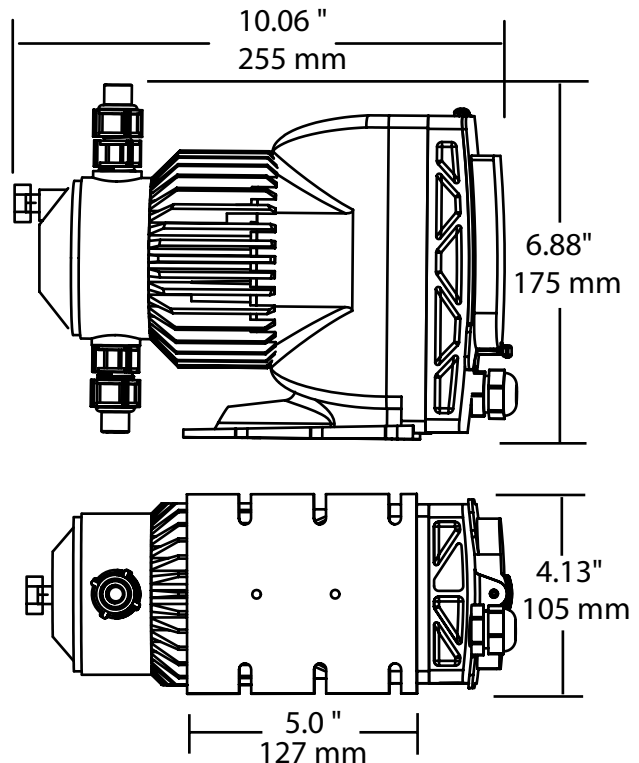
Enclosure

Heavy duty NEMA 4X type high impact thermoplastic with clear lexan cover.

Environment

- Ambient temperature 32° to 140°F
- Relative humidity 0 to 100%

Shipping Weight: Approximately 10 lbs.



Accessories

Standard models include everything needed for immediate start-up: injection, foot and priming valve assemblies plus suction and discharge tubing.

Get the Advantage



4700 Harold Abitz Dr
Muskogee, OK 74403
800-743-7431 phone
888-686-6212 fax
www.advantagecontrols.com