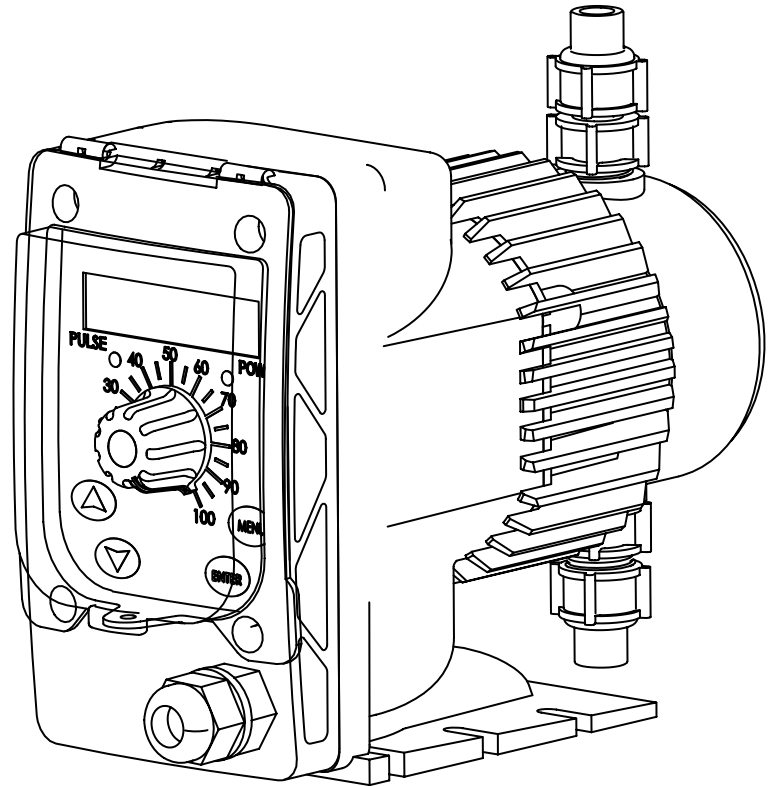


# MicroTron

## Series A

Chemical Metering Pump

### *Menu Driven Flexibility*



## Key Features

- Dual Output Adjustment
- NEMA 4X Style Enclosure
- LCD Backlit Display
- Optional Control Functions
- LED Indicating Lights
- Guided Double Ball Checks
- Priming / Degassing Valve
- Splash Cover Over Controls
- 2 Year Warranty

## Application

MicroTron Series A metering pumps provide reliable, flexible chemical addition for a wide variety of applications.

Metering accuracy is achieved with microprocessor controlled menu adjustable speed and double ball guided checks. A rugged thermoplastic NEMA 4X housing allows for outdoor installations.

Series A pumps are available in outputs up to 55 GPD and 250 PSI. The manual stroke length and menu speed adjustment provides the widest turn down capability.

# Build a Model

## Model A \_ \_ \_ \_ - \_ \_ \_ \_

Build your model number by selecting one code from each step. Example: A130X1-PVC1

### STEP 1 OUTPUT (MAXIMUM)

115	15 GPD / 2.37 LPH at 150 PSI
130	30 GPD / 4.70 LPH at 110 PSI
155	55 GPD / 8.62 LPH at 75 PSI
217	17 GPD / 2.60 LPH at 250 PSI

### STEP 2 CONTROL OPTIONS

X	Standard
M	4-20 mA Input to control stroke speed
N	Percent Timer 10 to 30 minute cycle
P	Pulse Timer or Multiply / Divide Pulses
T	28-Day Biocide Timer

### STEP 3 VOLTAGE

1	(Standard) 110 Volt USA Plug
2	220 Volt
3	220 Volt Specified Plug

### STEP 4 HEAD MATERIAL

P	Polypropylene
K	Kynar
V	PVC
S	Stainless

### STEP 5 SEAT MATERIAL

V	Viton (Standard)
F	Teflon
H	Hypalon

### STEP 6 CHECK BALL

C	Ceramic (Standard)
S	Stainless

### STEP 7 CONNECTIONS

1	3/8" Tubing Standard - 110 psi
2	1/4" Tubing Standard - 250 psi
3	3/8" Tubing - 250 PSI
P	1/4" MNPT Connections
V	3/8" Vinyl Suction Tubing (110 or 250 PSI)

For other options, see Price List or consult factory.

## Accessories

Standard models include everything needed for immediate start-up: injection, foot and priming valve assemblies plus suction and discharge tubing.

# Specifications

## Electrical

- **Input** - 120 VAC or 250 VAC @ 50/60 Hz

## Operational

- **Stroke length adjustment** - 10-100%
- **Stroke frequency** - Can be set from 1-125 strokes/minute or 1-125 strokes/hour on 15, 30 & 17 GPD models and 1-160 on 55 GPD.

## Optional Timers

- **Pulse:** 0-59 min, 0-59 sec w/accumulator
- **Percent:** 0-99% of 10-30 minutes
- **Biocide:** 28 Day

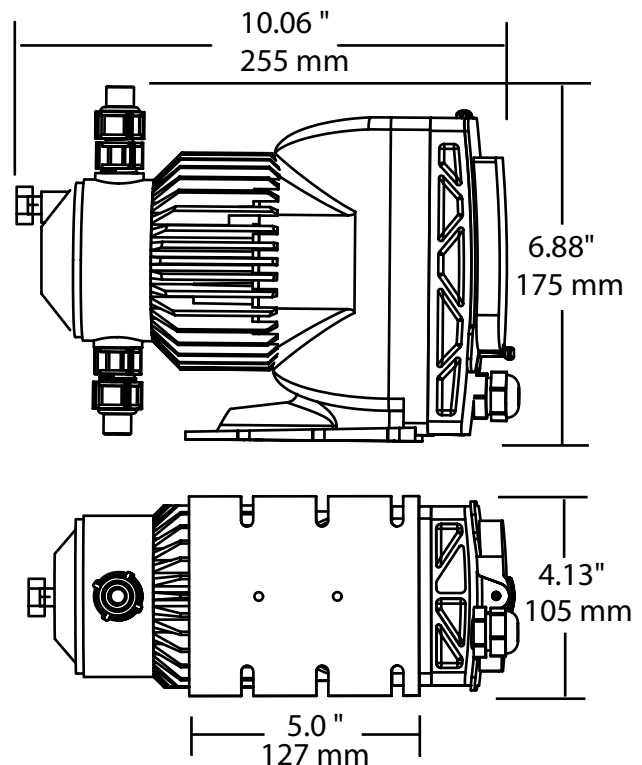
## Enclosure

Heavy duty NEMA 4X type high impact thermoplastic with clear lexan cover.

## Environment

- Ambient temperature 32° to 140°F
- Relative humidity 0 to 100%

**Shipping Weight:** Approximately 10 lbs.



**Get the Advantage**



4700 Harold Abitz Dr  
Muskogee, OK 74403  
800-743-7431 phone  
888-686-6212 fax  
[www.advantagecontrols.com](http://www.advantagecontrols.com)