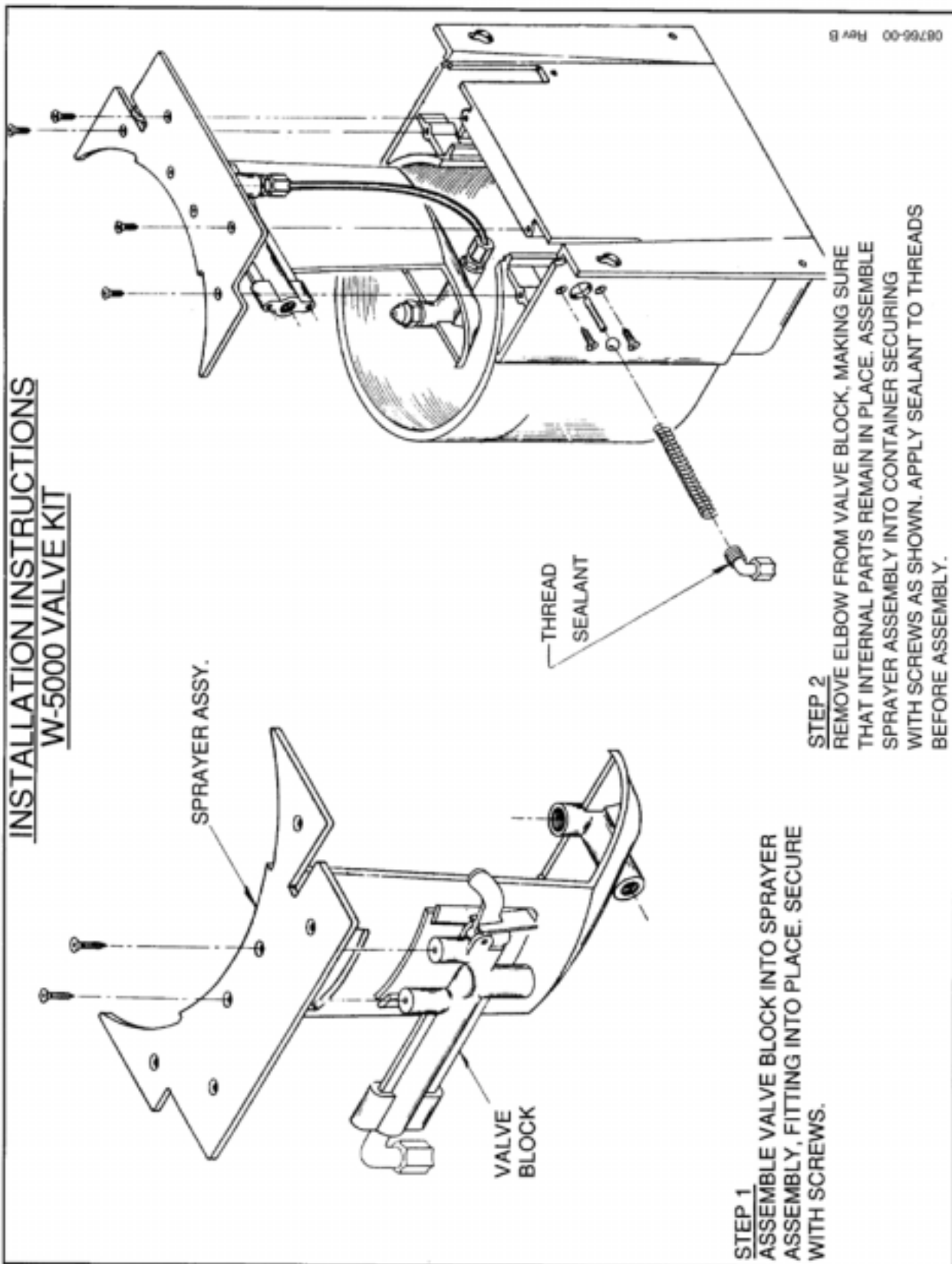


INSTALLATION INSTRUCTIONS
W-5000 VALVE KIT



STEP 1
ASSEMBLE VALVE BLOCK INTO SPRAYER ASSEMBLY, FITTING INTO PLACE. SECURE WITH SCREWS.

STEP 2
REMOVE ELBOW FROM VALVE BLOCK, MAKING SURE THAT INTERNAL PARTS REMAIN IN PLACE. ASSEMBLE SPRAYER ASSEMBLY INTO CONTAINER SECURING WITH SCREWS AS SHOWN. APPLY SEALANT TO THREADS BEFORE ASSEMBLY.